



Setup Sheet



Name **TY TESSMANN**

Date **NOV 6-8/09**

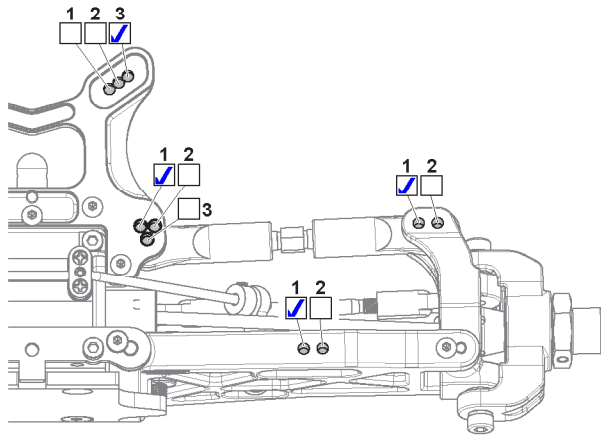
Event **SIDEWINDER NITRO EXPLOSION**

Temp **Air** Track

Track **THUNDER ALLEY**

Track Condition **Indoor** **Outdoor** **Tight** **Smooth** **Hard** **Loose** **Loamy** **Dry** **Blue Groove** **Wet** **Low Bite** **High Bite** **Dusty** **Med** **Other**

Front

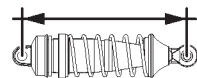


Ride Height **28** mm

Camber Angle **1** °

Toe Angle **0.5 OUT** °

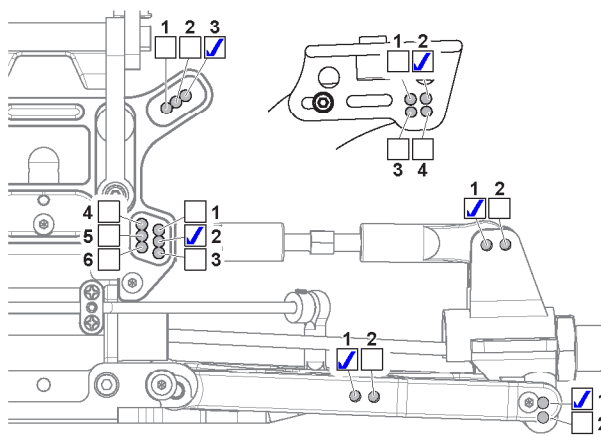
Sway Bar **2.3** mm



Shocks

	Front	Rear
Piston	1.3	1.3
Oil wt.	350	500
Bladder	STOCK	STOCK
Spring	GREY	WHITE
Shock Length	100 mm	101 mm

Rear



Ride Height **29** mm

Camber Angle **2** °

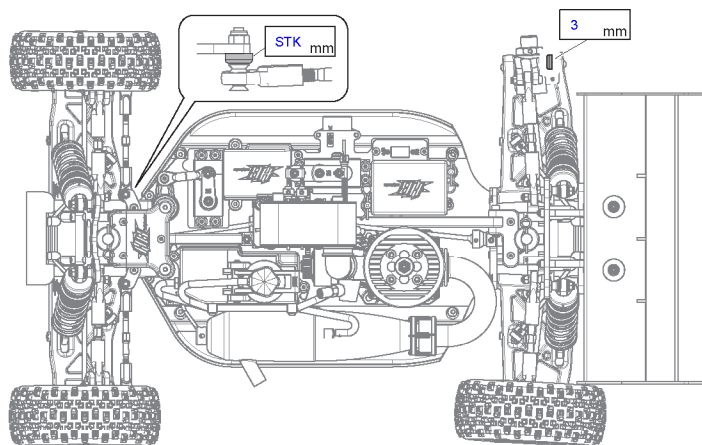
Toe Angle **STOCK** °

Sway Bar **2.5** mm

Tires

	Front	Rear
Brand	PROLINE	PROLINE
Compound	M3	M3
Insert	GREY MOLDED	GREY MOLDED
Wheel	PROLINE	PROLINE
Notes	TRIMMED	REVOLVER

Chassis



Note **USE 3MM LIGHTENED CHASSIS**

Diff

	Front	Center	Rear
Brand	HB	HB	HB
Oil wt.	5000	4000	2000

Motor

Engine	OS SPEED	Spur Gear	LIGHTENED
Glow Plug	P3	Pinion Gear	
Fuel	BYRONS	Clutch	TRIMMED STOCK
Pipe	OS 2050	Note	



HOT BODIES USA
70 Icon Street
Foothill Ranch, CA 92610 USA
(949) 753-1099
(888) 349-4474 Customer Service

HotBodies Distributor in Asia
HPI Japan
3-22-20 Takaoka-kita, Naka-ku,
Hamamatsu, Shizuoka, 433-8119, JAPAN
053-430-0770

HOT BODIES DISTRIBUTOR IN EUROPE
HPI Europe Ltd.
21 William Nadin Way, Swadincote,
Derbyshire, DE11 0BB, UK
(44) 01283 229400