



Setup Sheet



Name Josh Alton

Date

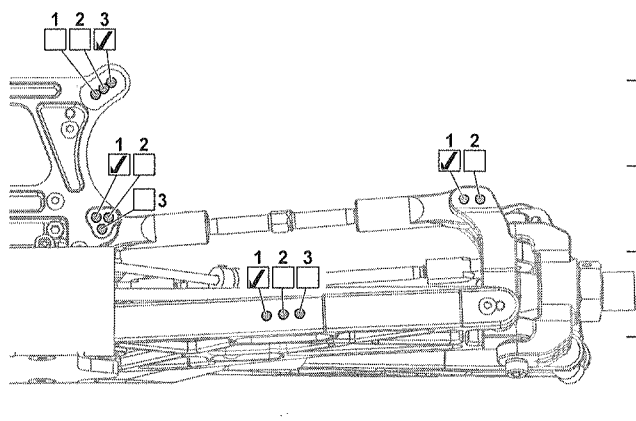
Event

Temp Air Track

Track

Track Condition	Indoor	Tight	Smooth	Hard Packed	Blue Groove	Wet	Low Bite	High Bite
	Outdoor	Open	Rough	Loose/Loamy	Dry	Dusty	Med Bite	Other

Front



Ride Height 36 mm

Camber Angle -2 °

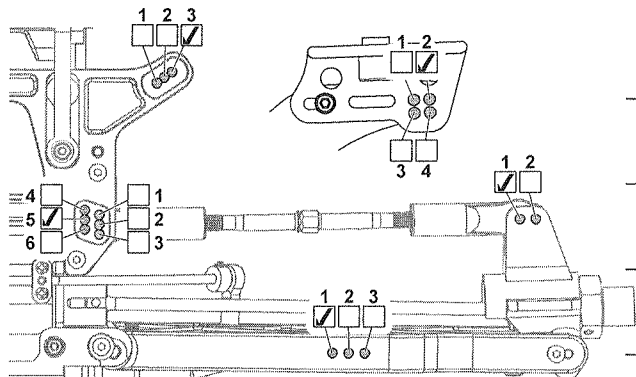
Toe Angle -1 °

Sway Bar 2.8 mm

Shocks

	Front	Rear
Piston	1.2	1.2
Oil wt.	HB 500	HB 500
Bladder	Standard	Standard
Spring	White	Blue
Shock Length	100 mm	112 mm

Rear



Ride Height 40 mm

Camber Angle -2 °

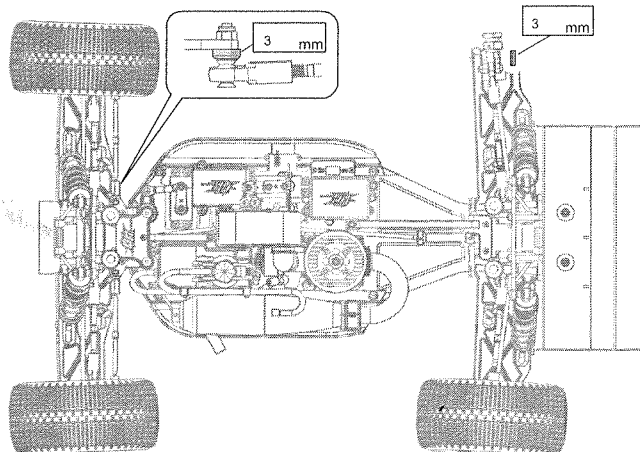
Toe Angle 3 °

Sway Bar 2.8 mm

Tires

	Front	Rear
Brand	HB Block	HB Kahos
Compound	Red	Red
Insert	AKA	AKA
Wheel	HB	HB
Notes		

Chassis



Note

Diff

	Front	Center	Rear
Brand	HB	HB	HB
Oil wt.	7K	7K	4K

Motor

Engine	OS .21	Spur Gear	50T
Glow Plug	O'Donnell 77T	Pinion Gear	13T
Fuel	O'Donnell 30%	Clutch	Standard
Pipe	OS 2060	Note	



HOT BODIES USA
 70 Icon Street
 Foothill Ranch, CA 92610 USA
 (949) 753-1099
 (888) 349-4474 Customer Service

HotBodies Distributor in Asia
HPI Japan
 3-22-20 Takaoka-kita, Naka-ku,
 Hamamatsu, Shizuoka, 433-8119, JAPAN
 053-430-0770

HOT BODIES DISTRIBUTOR IN EUROPE
HPI Europe Ltd.
 21 William Nadin Way, Swadlincote,
 Derbyshire, DE11 0BB, UK
 (44) 01283 229400