



# Setup Sheet



Name **Jesse Robbers**

Date **5/29/09**

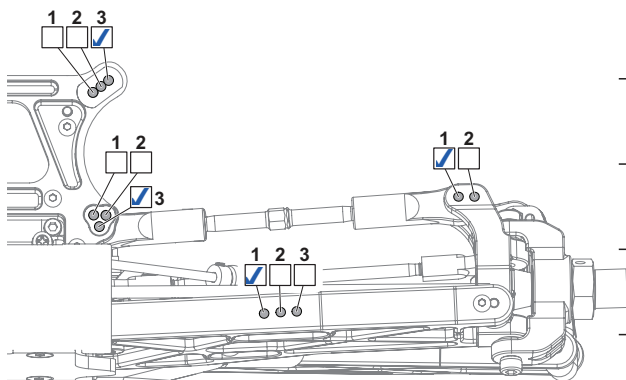
Event **ROAR Nationals Warm-Up Race**

Temp Air **85** Track

Track **Leisure Hours Raceway**

Track Condition **Indoor**  **Tight**  **Smooth**  **Hard/Packed**  **Blue/Groove**  **Wet**  **Low Bite**  **High Bite**   
 **Outdoor**  **Open**  **Rough**  **Loose/Loamy**  **Dusty**  **Med Bite**  **Other**

## Front

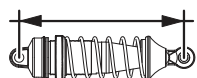


Ride Height **36** mm

Camber Angle **-1.5** °

Toe Angle **2° out total** °

Sway Bar **stock** mm



## Shocks

Front Rear

Piston **1.2mm** **1.2mm**

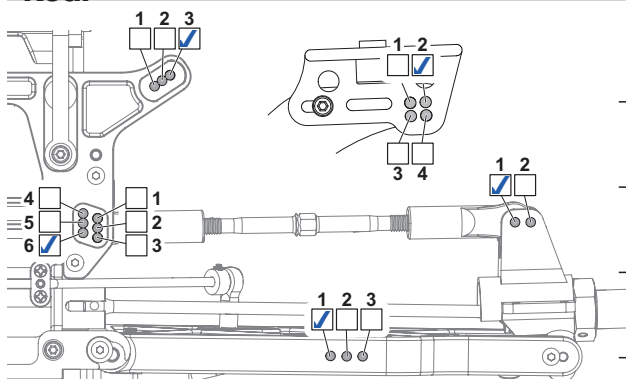
Oil wt. **500 HB** **450 HB**

Bladder **stock** **stock**

Spring **Blue** **Orange**

Shock Length **100** mm **113** mm

## Rear



Ride Height **39** mm

Camber Angle **-2** °

Toe Angle **stock** °

Sway Bar **stock** mm

## Tires

Front Rear

Brand **HB Block** **HB Block**

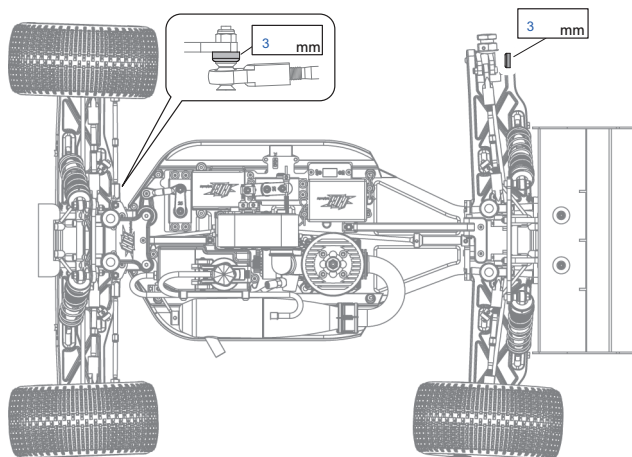
Compound **Red** **Red**

Insert **AKA** **AKA**

Wheel **HB** **HB**

Notes

## Chassis



Note **Lightweight parts used**

## Diff

Front Center Rear

Brand **HB** **HB** **HB**

Oil wt. **7k** **20k** **3k**

## Motor

Engine **OS Speed** Spur Gear **50t**

Glow Plug **P3** Pinion Gear **13t**

Fuel **Sidewinder 30%** Clutch **stock trimmed**

Pipe **OS 2060** Note



**HOT BODIES USA**  
 70 Icon Street  
 Foothill Ranch, CA 92610 USA  
 (949) 753-1099  
 (888) 349-4474 Customer Service

**HotBodies Distributor in Asia**  
**HPI Japan**  
 3-22-20 Takaoka-kita, Naka-ku,  
 Hamamatsu, Shizuoka, 433-8119, JAPAN  
 053-430-0770

**HOT BODIES DISTRIBUTOR IN EUROPE**  
**HPI Europe Ltd.**  
 21 William Nadin Way, Swadlincote,  
 Derbyshire, DE11 0BB, UK  
 (44) 01283 229400