



Setup Sheet



Name **Jesse Robbers**

Date **5-29-2009**

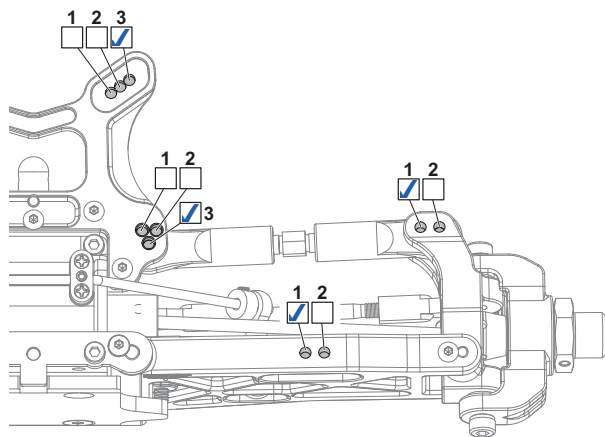
Event **ROAR Nationals Warm-Up Race**

Temp **Air 85** Track

Track **Leisure Hours Raceway**

Track Condition **Indoor** **Tight** **Smooth** **Hard/** **Blue/Groove** **Wet** **Low Bite** **High Bite**
 Outdoor **Open** **Rough** **Loose/Loamy** **Dry** **Dusty** **Med Bite** **Other**

Front



Ride Height **27** mm

Camber Angle **-1.5** °

Toe Angle **1* out total** °

Sway Bar **stock** mm

Shocks

Front Rear

Piston **1.3mm** **1.3mm**

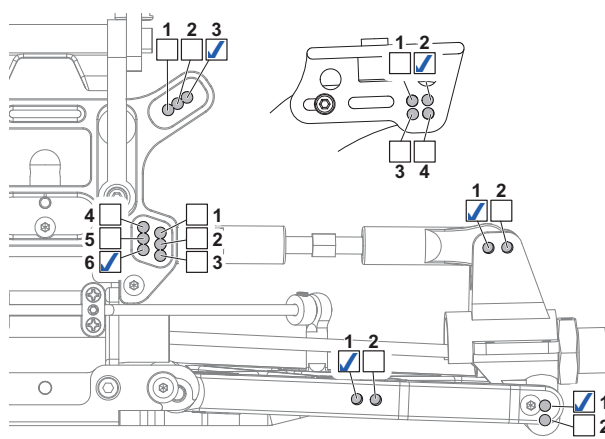
Oil wt. **350 HB** **450 HB**

Bladder **stock** **stock**

Spring **Grey** **Yellow 68mm**

Shock Length **98** mm **102.5** mm

Rear



Ride Height **28** mm

Camber Angle **-2** °

Toe Angle **stock** °

Sway Bar **stock** mm

Tires

Front Rear

Brand **HB Khaos** **HB Khaos**

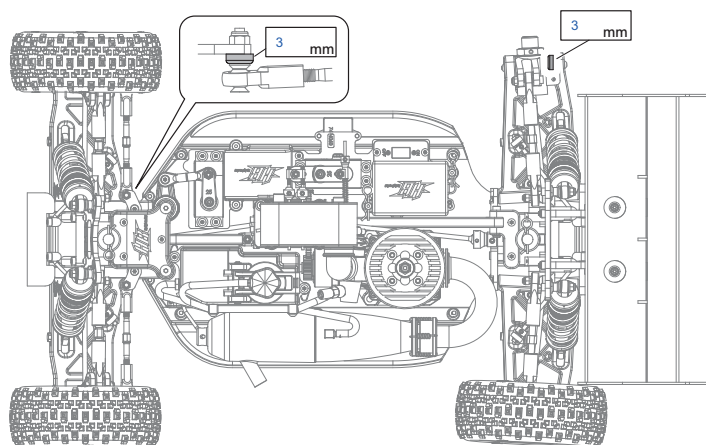
Compound **White** **White**

Insert **PL** **PL**

Wheel **HB** **HB**

Notes

Chassis



Note **Lightweight parts used, stock chassis, rear droop measured to outside hole on arm.**

Diff

Front Center Rear

Brand **HB** **HB** **HB**

Oil wt. **5k** **5k** **3k**

Motor

Engine **OS Speed** Spur Gear **48t**

Glow Plug **P3** Pinion Gear **16t**

Fuel **Sidewinder 30%** Clutch **stock trimmed**

Pipe **OS 2060** Note



HOT BODIES USA
 70 Icon Street
 Foothill Ranch, CA 92610 USA
 (949) 753-1099
 (888) 349-4474 Customer Service

HotBodies Distributor in Asia
HPI Japan
 3-22-20 Takaoka-kita, Naka-ku,
 Hamamatsu, Shizuoka, 433-8119, JAPAN
 053-430-0770

HOT BODIES DISTRIBUTOR IN EUROPE
HPI Europe Ltd.
 21 William Nadin Way, Swadincote,
 Derbyshire, DE11 0BB, UK
 (44) 01283 229400