



Setup Sheet



Name **Jesse Robbers**

Date **1-24-2010**

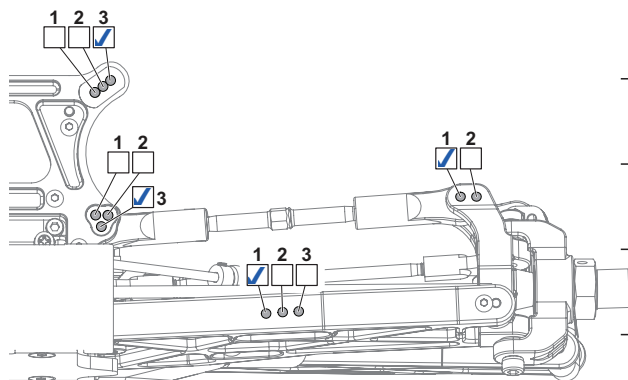
Event **CRCRC Nitro Champs**

Temp **Air 50's** Track

Track **CRCRC**

Track Condition **Indoor** **Tight** **Smooth** **Hard** **Loose/Loamy** **Blue Groove** **Wet** **Low Bite** **High Bite** **Dusty** **Med Bite** **Other**

Front

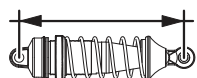


Ride Height **36** mm

Camber Angle **-1.5** °

Toe Angle **1* out** °

Sway Bar **stock** mm



Shocks

Front Rear

Piston **1.2** **1.2**

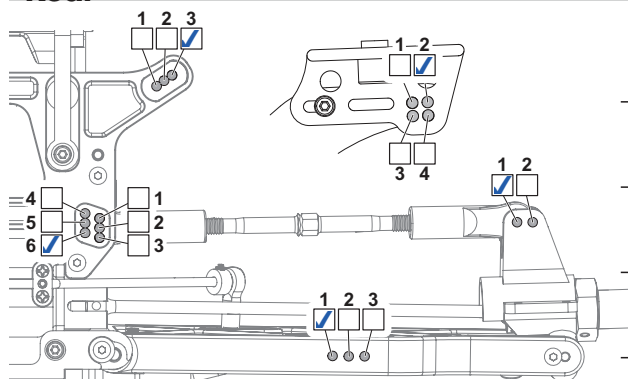
Oil wt. **HB 500** **HB 500**

Bladder **stock** **stock**

Spring **White 60mm** **Blue 76mm**

Shock Length **101** mm **114** mm

Rear



Ride Height **38** mm

Camber Angle **-2** °

Toe Angle **stock** °

Sway Bar **stock** mm

Tires

Front Rear

Brand **Megabite** **Megabite**

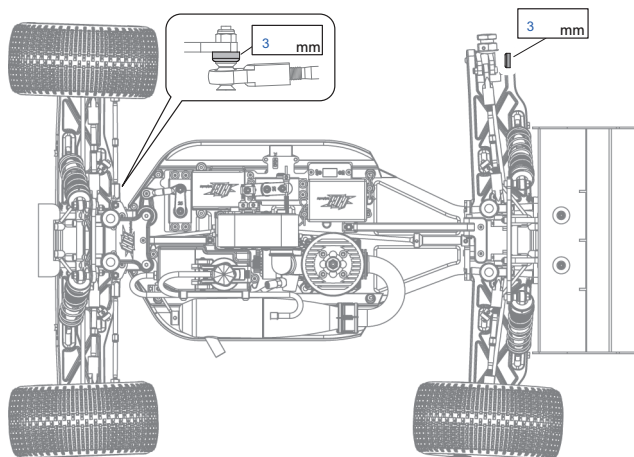
Compound **HB Pink** **HB Pink**

Insert **AKA trimmed** **AKA trimmed**

Wheel **HB** **HB**

Notes

Chassis



Note **HB LW parts used, Lunsford screws & turnbuckles, JConcepts body.**

Diff

Front Center Rear

Brand **HB** **HB** **HB**

Oil wt. **7k** **10k** **3k**

Motor

Engine **OS Speed** Spur Gear **50t**

Glow Plug **P3** Pinion Gear **13t**

Fuel **Sidewinder 30%** Clutch **stock trimmed**

Pipe **OS 2060** Note



HOT BODIES USA
70 Icon Street
Foothill Ranch, CA 92610 USA
(949) 753-1099
(888) 349-4474 Customer Service

HotBodies Distributor in Asia
HPI Japan
3-22-20 Takaoka-kita, Naka-ku,
Hamamatsu, Shizuoka, 433-8119, JAPAN
053-430-0770

HOT BODIES DISTRIBUTOR IN EUROPE
HPI Europe Ltd.
21 William Nadin Way, Swadlincote,
Derbyshire, DE11 0BB, UK
(44) 01283 229400