



Setup Sheet

Name **Travis Amezcua**

Date

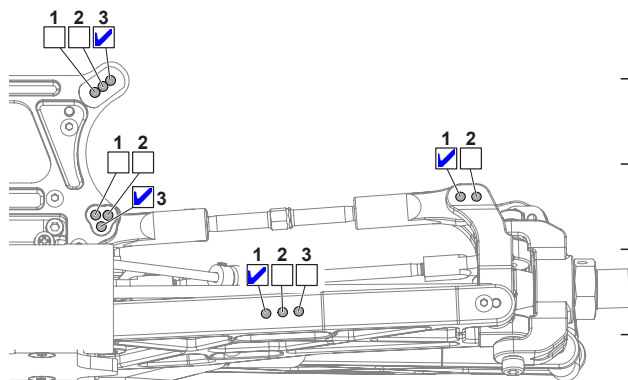
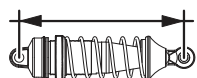
Event **2009 Roar Nationals**

Temp Air Track

Track

 Track Condition Indoor Tight Smooth Hard Packed Blue Groove Wet Low Bite High Bite
 Outdoor Open Rough Loose/Loamy Dry Dusty Med Bite Other

Front

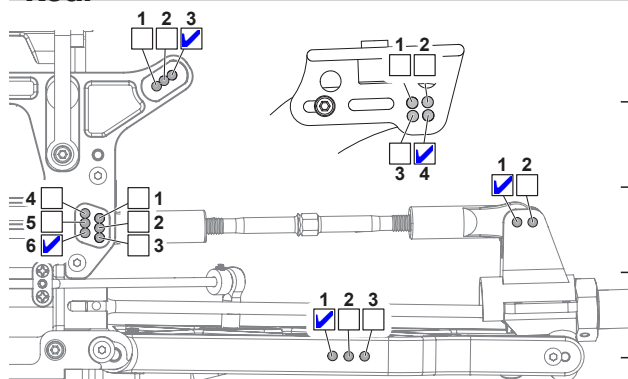
Ride Height **36** mmCamber Angle **-1** °Toe Angle **+2** °Sway Bar **stock** mm

Shocks

Front Rear

Piston **1.2** **1.2**Oil wt. **500** **450**Bladder **stock** **stock**Spring **Blue** **Orange**Shock Length **101** mm **112.5** mm

Rear

Ride Height **40** mmCamber Angle **-2** °Toe Angle **stock** °Sway Bar **stock** mm

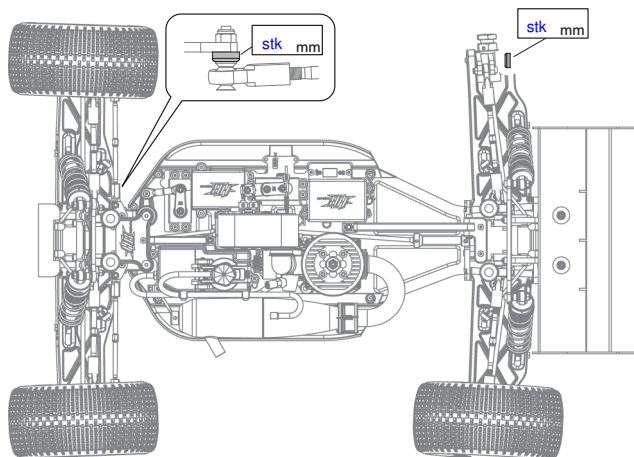
Tires

Front Rear

Brand **Pro-Line Revolver vtr** **Pro-Line Revolver vtr**Compound **xtr** **xtr**Insert **stock** **stock**Wheel **Pro-Line** **Pro-Line**

Notes

Chassis

Note **Truck weight was 9lbs**

Diff

Front Center Rear

Brand **HB** **HB** **HB**Oil wt. **7000** **10000** **5000**

Motor

Engine **Ninja** Spur Gear **50**Glow Plug **P3** Pinion Gear **13**Fuel **Sidewinder 30%** Clutch **stock**Pipe **Ninja** Note
HOT BODIES USA
 70 Icon Street
 Foothill Ranch, CA 92610 USA
 (949) 753-1099
 (888) 349-4474 Customer Service

HotBodies Distributor in Asia
HPI Japan
 3-22-20 Takaoka-kita, Naka-ku,
 Hamamatsu, Shizuoka, 433-8119, JAPAN
 053-430-0770

HOT BODIES DISTRIBUTOR IN EUROPE
HPI Europe Ltd.
 21 William Nadin Way, Swadlincote,
 Derbyshire, DE11 0BB, UK
 (44) 01283 229400