



Setup Sheet



Name **TY TESSMANN**

Date **SEPT 4-6, 2009**

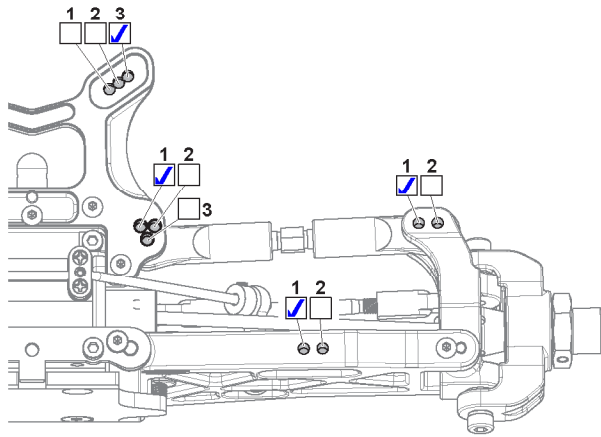
Event **RC PRO CANADA NATIONAL FINALS**

Temp **Air** Track

Track **SICES - EDMONTON, AB**

Track Condition **Indoor** **Outdoor** **Tight** **Open** **Smooth** **Rough** **Hard** **Loose/Loamy** **Blue Groove** **Wet** **Low Bite** **High Bite** **Dusty** **Med** **Other**

Front

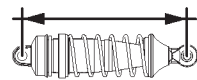


Ride Height **27** mm

Camber Angle **1** °

Toe Angle **1 OUT** °

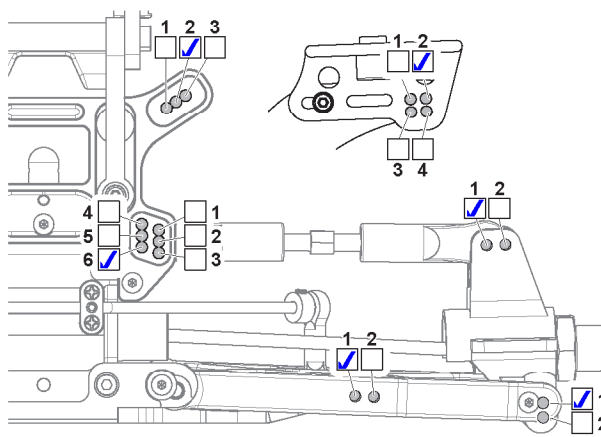
Sway Bar **2.4** mm



Shocks

	Front	Rear
Piston	1.3	1.3
Oil wt.	350	550
Bladder	STOCK	STOCK
Spring	GREY	WHITE
Shock Length	98 mm	100 mm

Rear



Ride Height **29** mm

Camber Angle **2** °

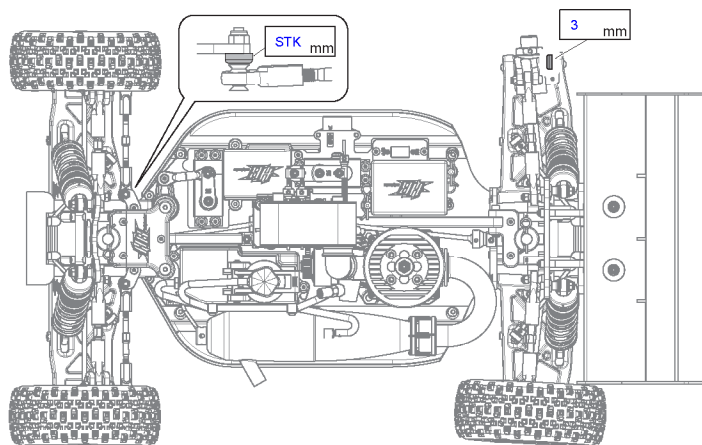
Toe Angle **STOCK** °

Sway Bar **2.5** mm

Tires

	Front	Rear
Brand	AKA GRIDIRON	AKA GRIDIRON
Compound	BLUE	BLUE
Insert	STOCK AKA	STOCK AKA
Wheel	AKA	AKA
Notes		

Chassis



Note **FRONT SHOCKS 50% REBOUND, NO DUST BOOTS**

Diff

	Front	Center	Rear
Brand	5000	5000	2000
Oil wt.	HB	HB	HB

Motor

Engine	OS	Spur Gear
Glow Plug	P3	Pinion Gear
Fuel	BYRONS	Clutch STOCK TRIMMED
Pipe	OS	Note



HOT BODIES USA
 70 Icon Street
 Foothill Ranch, CA 92610 USA
 (949) 753-1099
 (888) 349-4474 Customer Service

HotBodies Distributor in Asia
HPI Japan
 3-22-20 Takaoka-kita, Naka-ku,
 Hamamatsu, Shizuoka, 433-8119, JAPAN
 053-430-0770

HOT BODIES DISTRIBUTOR IN EUROPE
HPI Europe Ltd.
 21 William Nadin Way, Swadincote,
 Derbyshire, DE11 0BB, UK
 (44) 01283 229400