



# Setup Sheet



Name **TY TESSMANN**

Date **OCT 15-18/09**

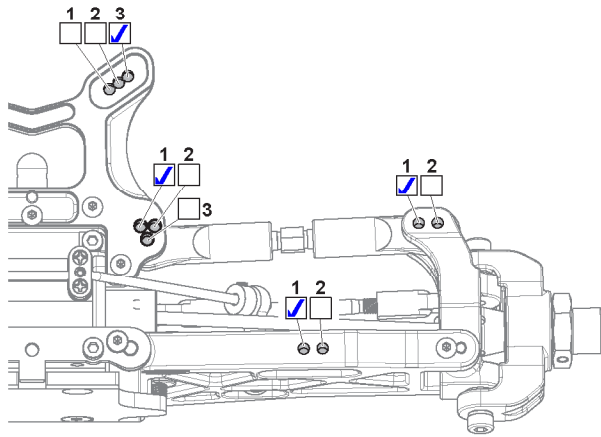
Event **'09 NITROCROSS WORLD CHAMPS**

Temp **Air** Track

Track **NITRO PIT**

Track Condition **Indoor**  **Tight**  **Smooth**  **Hard**  **Loose/Loamy**  **Blue Groove**  **Wet**  **Low Bite**  **High Bite**  **Dusty**  **Med**  **Other**

## Front

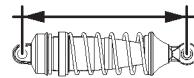


Ride Height **28** mm

Camber Angle **1** °

Toe Angle **0** °

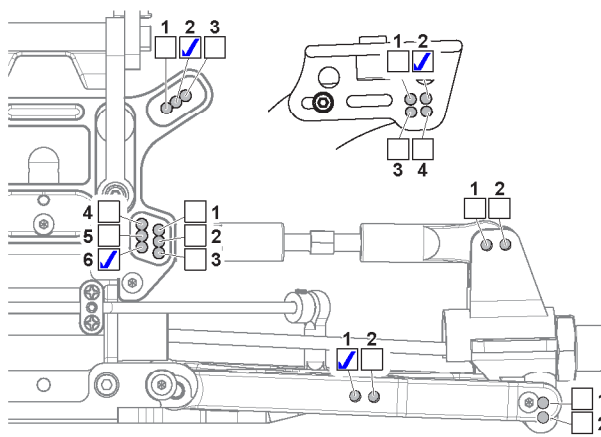
Sway Bar **2.3** mm



## Shocks

	Front	Rear
Piston	<b>1.3</b>	<b>1.3</b>
Oil wt.	<b>350</b>	<b>550</b>
Bladder		
Spring	<b>grey</b>	<b>white</b>
Shock Length	<b>98</b> mm	<b>100</b> mm

## Rear



Ride Height **29** mm

Camber Angle **1** °

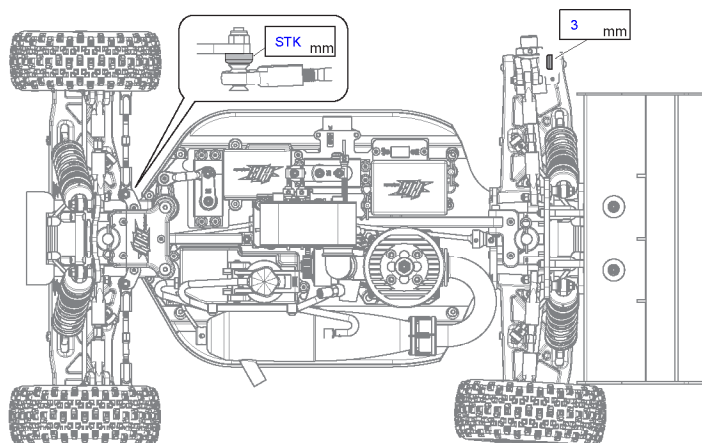
Toe Angle **stock** °

Sway Bar **2.5** mm

## Tires

	Front	Rear
Brand	<b>AKA GRIDIRON</b>	<b>AKA GRIDIRON</b>
Compound	<b>MEDIUM</b>	<b>MEDIUM</b>
Insert	<b>AKA</b>	<b>AKA</b>
Wheel	<b>AKA</b>	<b>AKA</b>
Notes		

## Chassis



Note **REAR ALUMINUM HUB MIDDLE HOLE**

## Diff

	Front	Center	Rear
Brand	<b>HB</b>	<b>HB</b>	<b>HB</b>
Oil wt.	<b>5000</b>	<b>5000</b>	<b>2000</b>

## Motor

Engine	<b>OS</b>	Spur Gear	<b>LIGHTENED</b>
Glow Plug	<b>OS P3</b>	Pinion Gear	<b>STK</b>
Fuel	<b>BYRONS</b>	Clutch	<b>STOCK TRIMMED</b>
Pipe	<b>OS 2050</b>	Note	



**HOT BODIES USA**  
 70 Icon Street  
 Foothill Ranch, CA 92610 USA  
 (949) 753-1099  
 (888) 349-4474 Customer Service

**HotBodies Distributor in Asia**  
**HPI Japan**  
 3-22-20 Takaoka-kita, Naka-ku,  
 Hamamatsu, Shizuoka, 433-8119, JAPAN  
 053-430-0770

**HOT BODIES DISTRIBUTOR IN EUROPE**  
**HPI Europe Ltd.**  
 21 William Nadin Way, Swadincote,  
 Derbyshire, DE11 0BB, UK  
 (44) 01283 229400